
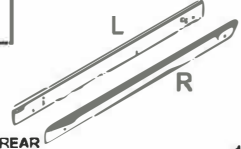
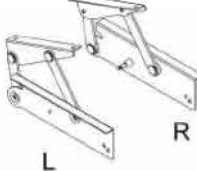





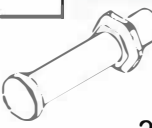
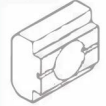
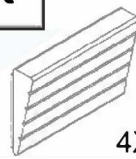






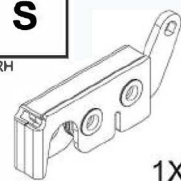
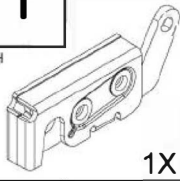




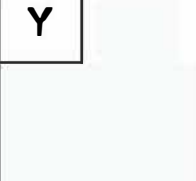

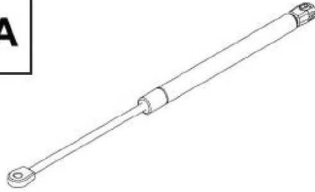

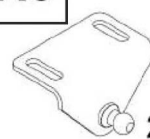
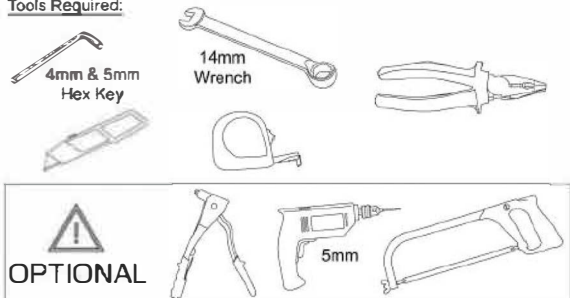


UpStoneEvolve

INSTALLATION INSTRUCTIONS EVO330-EVO350

FORD RANGER 2012+ WITH ROLL BAR

A  1X	B  1X	C  1X	D  2X		
E  4X	F  4X	G  6X	H  2X	I  2X	J  2X
K  4X	L  2X	M  4X	N  12X	O  12X	P  8X
R  4X	S  1X	T  1X	U  2X	V  2X	
W  2X	X  1X	Y  2X	Z  2X	AA  2X	
AB  1X	AC  2X	<p>Note 1: If at any stage of installation you find your sportlid to be an unacceptable fit please contact the manufacturer before continuing.</p> <p>Note 2: If required, use Under Rail Bed Liner only. NOT FOR USE WITH OVER RAIL BED LINER!</p> <p>Tools Required:</p>  <p>OPTIONAL</p>			

Fitting Kit Number	Product	Revision	Date	Page
KIT330-350R1BF	Upstone Lid	1	10-09-2013	1

1

Remove ladder rack

Note 2: If required, use Proform Under Rail Bed Liner only. Not for use with Over Rail Bed Liner.

Follow guide lines to trim liner in front corners.

2

Vehicle Model	α
Ford Ranger T6 Double & Extra cab 2012+	2

$\alpha 1$
 $\alpha 2$
 $\alpha 3$
 $\alpha 4$

T 4X

3

4

110mm

70mm

B

T 4X

L

R

L

B

K

H

M

M

L

FINGER TIGHTEN ONLY

Vehicle Model	β	δ	φ
Ford Ranger T6 Double & Extra cab 2012+	72,4mm	4	3

5

Place front of side mounting brackets back from inside corners of the cargo box - See table for measurement

β - See Table

φ - See Table for hole selection

MAX TORQUE SETTING = 8.5Nm OR 6.3 Ft/Pounds

B 2X

F 2X

H 2X

G 2X

$\delta 1$

$\delta 2$

$\delta 3$

$\delta 4$

$\delta 5$

$\varphi 1$

$\varphi 2$

$\varphi 3$

$\varphi 4$

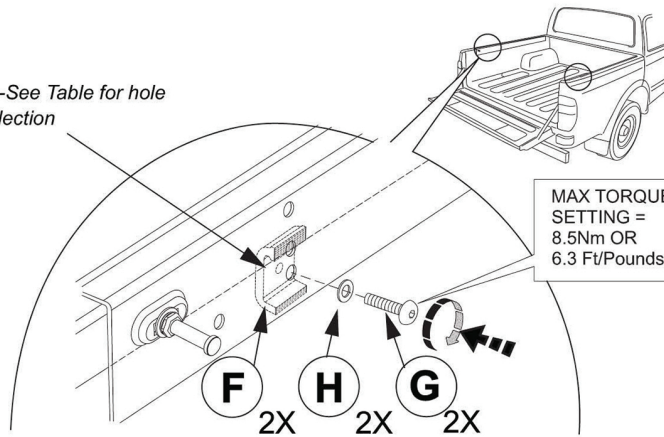
$\varphi 5$

Vehicle Model	β	δ	φ
Ford Ranger T6 Double & Extra cab 2012+	72,4mm	4	3

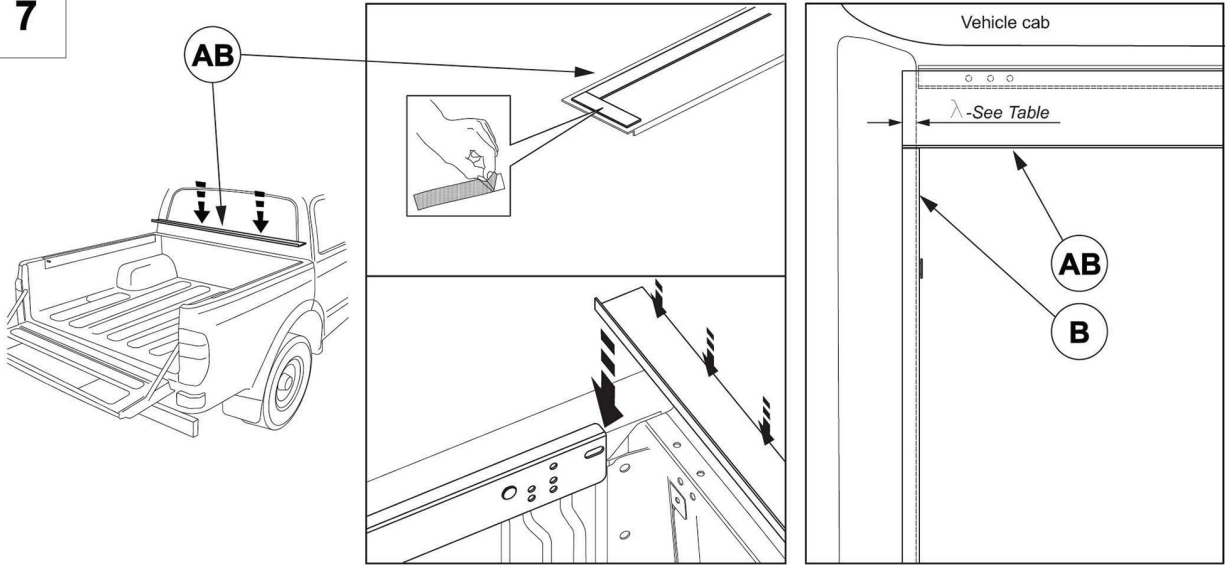
Fitting Kit Number	Product	Revision	Date	Page
KIT330-350RLBF	Upstone Lid	1		2 of 7

6

∅ -See Table for hole selection



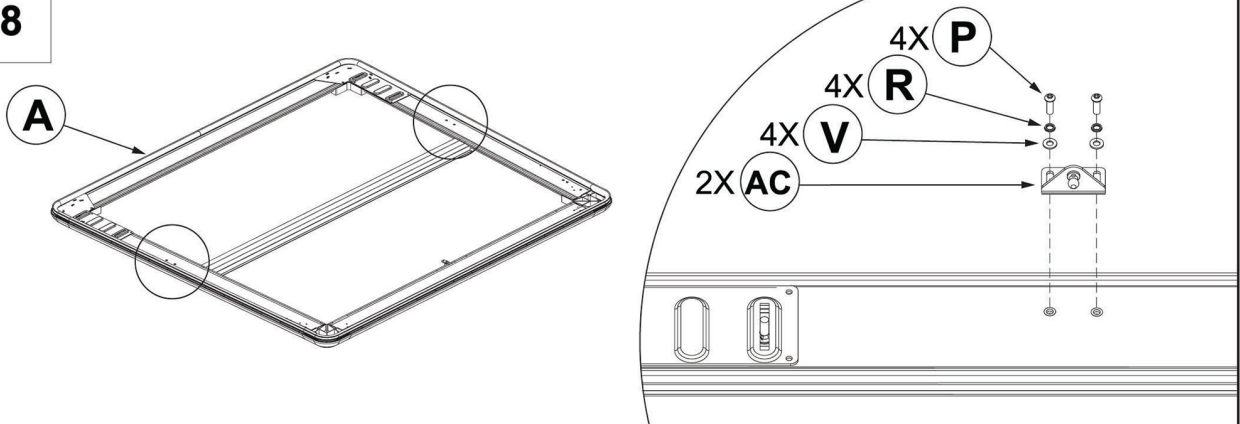
7



Vehicle Model	λ
Ford Ranger T6 Double & Extra cab 2012+	37,5mm

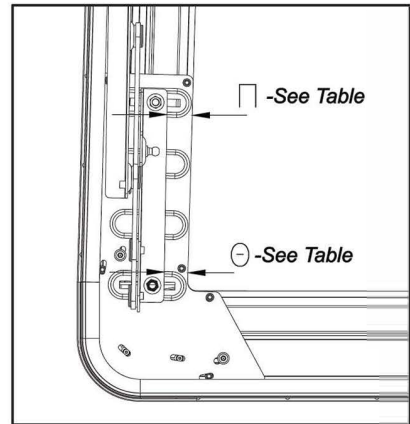
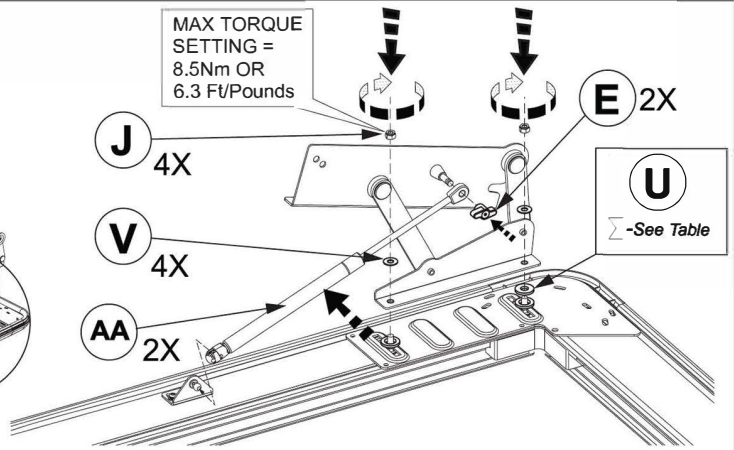
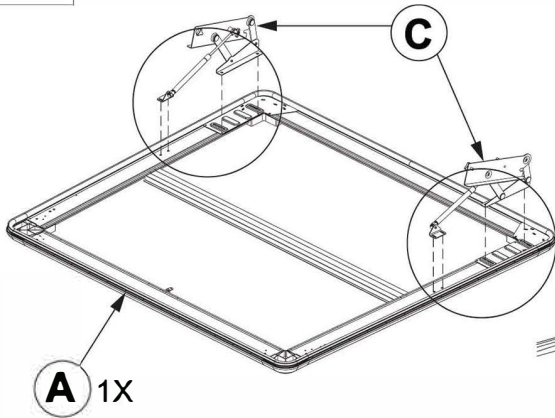
! DO NOT apply below 15°C.
Apply pressure to part. Adhesive is pressure activated.
Allow 3hrs minimum to cure before installing lid

8



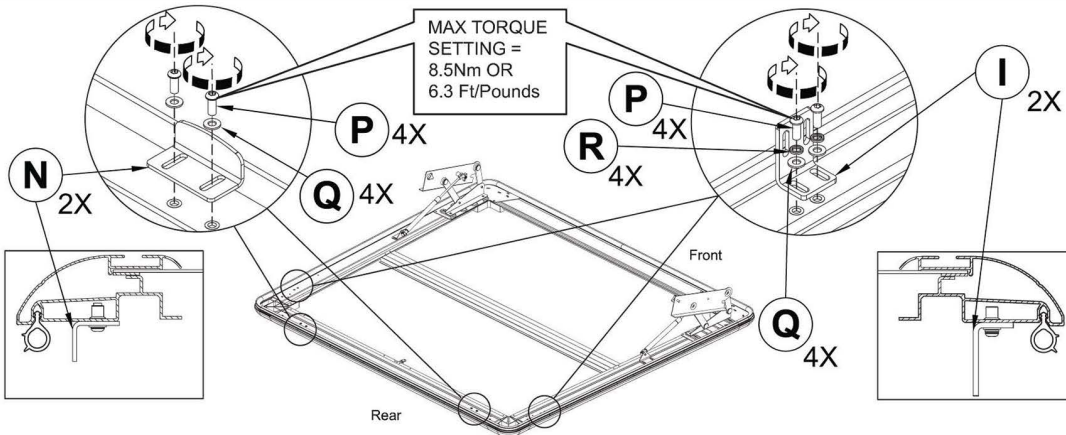
Fitting Kit Number	Product	Revision	Date	Page
KIT330-350RLBF	Upstone Lid	1		3 of 7

9

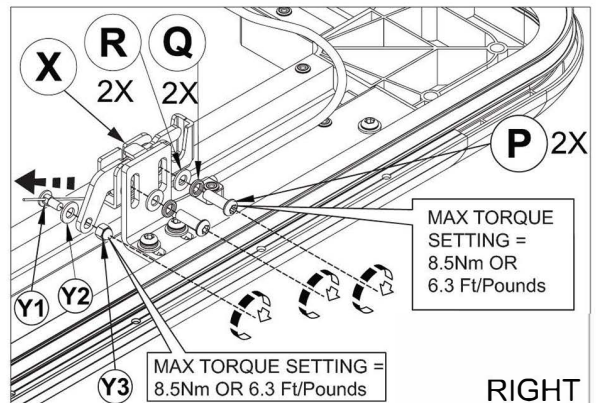
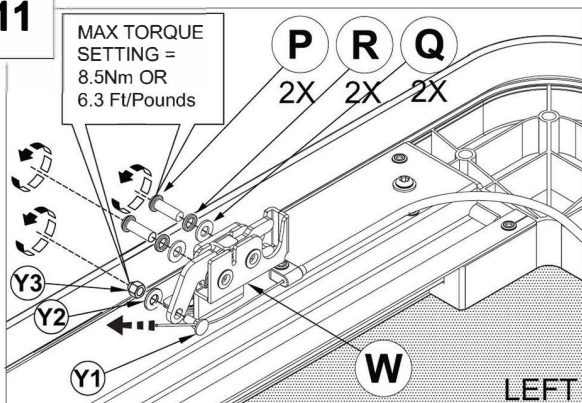


Vehicle Model	□	⊖	Σ
Ford Ranger T6 Double & Extra cab 2012+	16mm	16mm	2 Qty

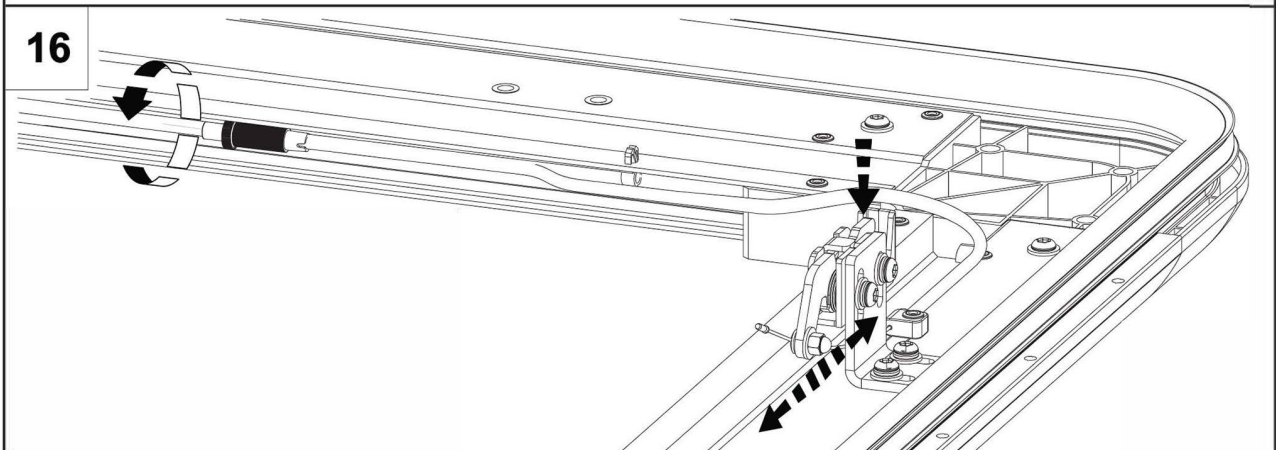
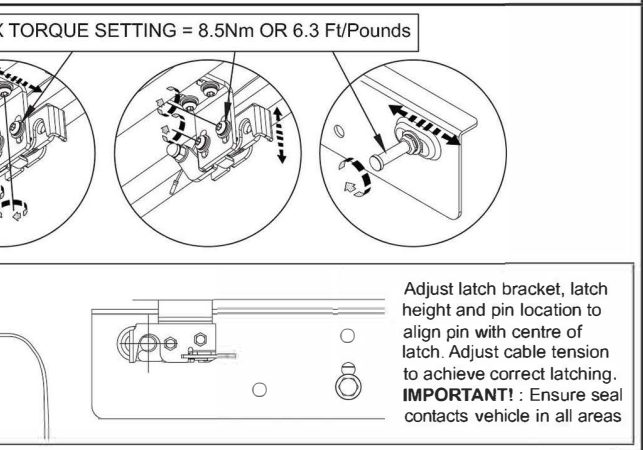
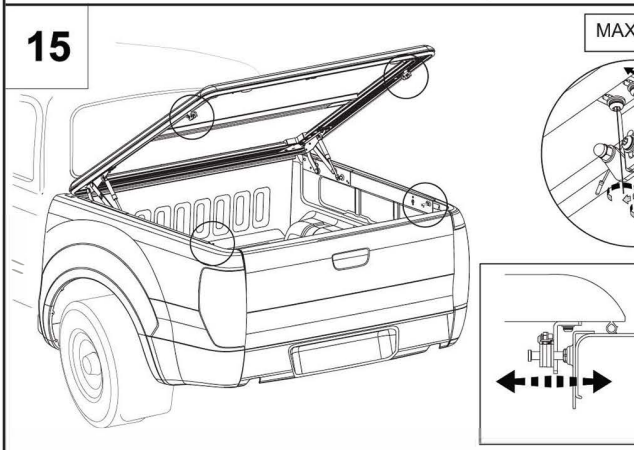
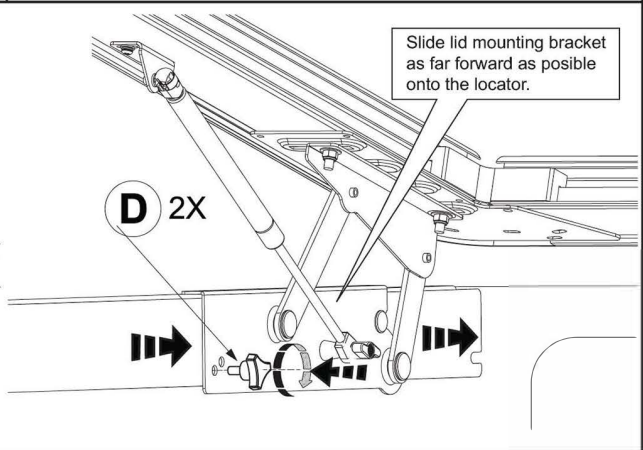
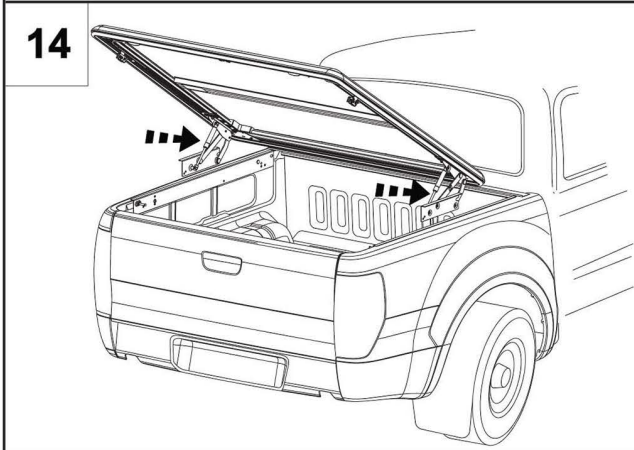
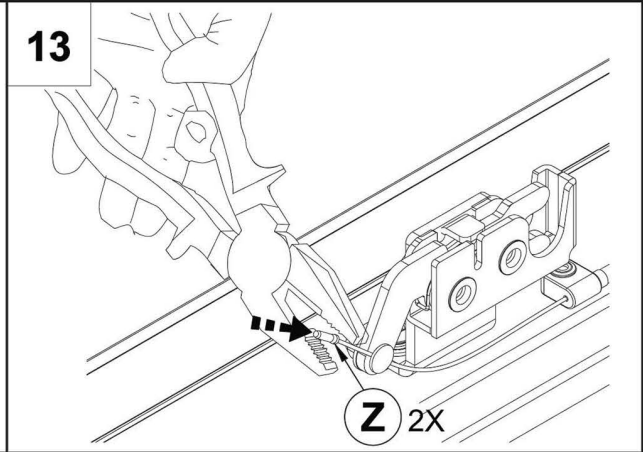
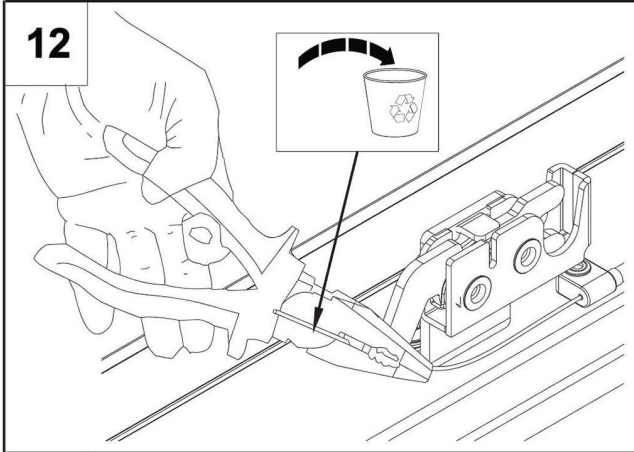
10



11



Fitting Kit Number	Product	Revision	Date	Page
KIT330-350RLBF	Upstone Lid	1		4 of 7

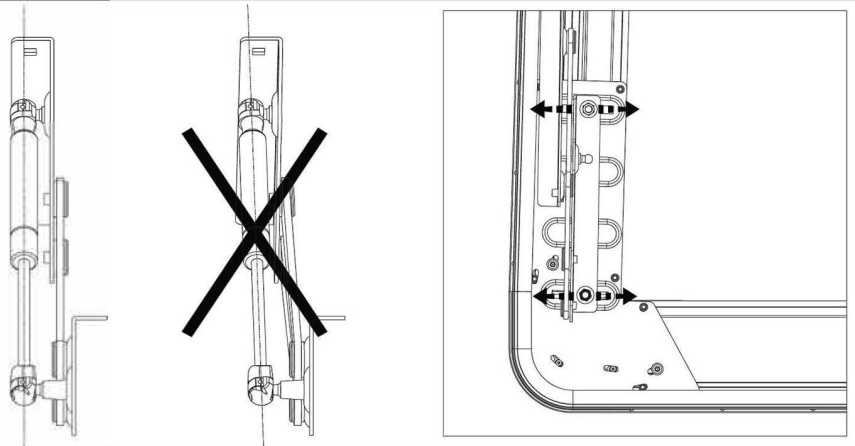


Fitting Kit Number	Product	Revision	Date	Page
KIT330-350RLBF	Upstone Lid	1	01.07.2016	5 of 7

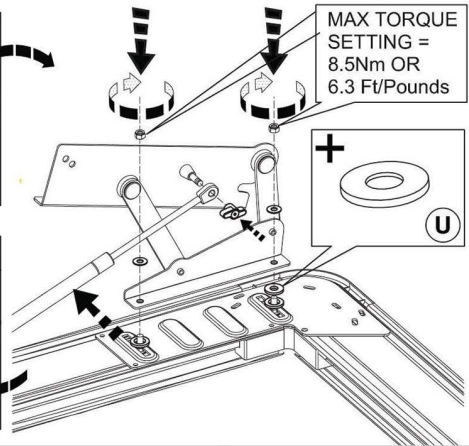
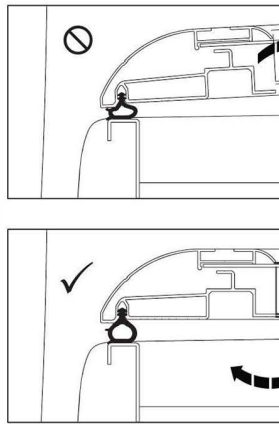
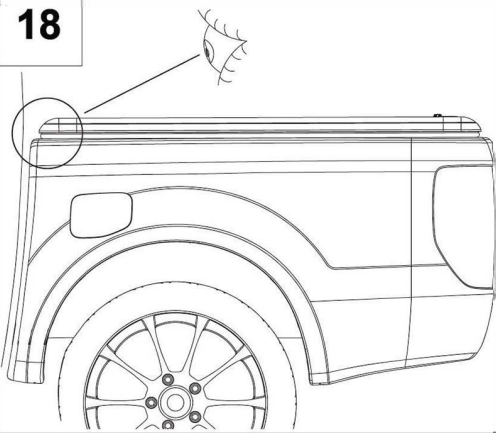
17



Insure hinge is not twisted.
Adjust connection to lid if nessessary.

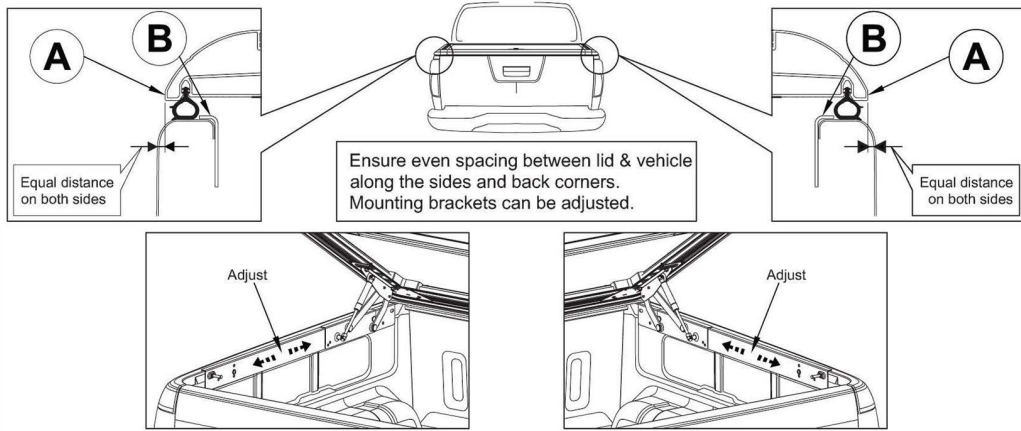


18



Fitting Kit Number	Product	Revision	Date	Page
KIT330-350RLBF	Upstone Lid	1		6 of 7

19



After installation carefully and thoroughly clean all debris from the inside of the cargo box.
Retain these instructions for future reference



CAUTION!

- NEVER allow people or animals under the closed cover
- Do not place unsealed solvents or chemicals under the cover
- Do not stand or place heavy objects on the cover
- Do not open lid when under load.
- Close the cover before operating the vehicle
- Do not allow oil, solvents or chemicals to contact the cover
- Clean only with a mild detergent and water solution

Fitting Kit Number	Product	Revision	Date	Page
KIT330-350RLBF	Upstone Lid	1		7 of 7

FORD RANGER 2012+
NISSAN NAVARA NP300 2016+
MITSUBISHI L200 2006/2015 DC
MAZDA BT50



Item Code

Codice Articolo

Référence Article

: **RUP/420/IX**












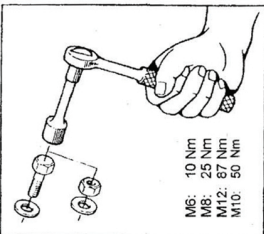
GB

STAINLESS STEEL
MEDIUM BAR

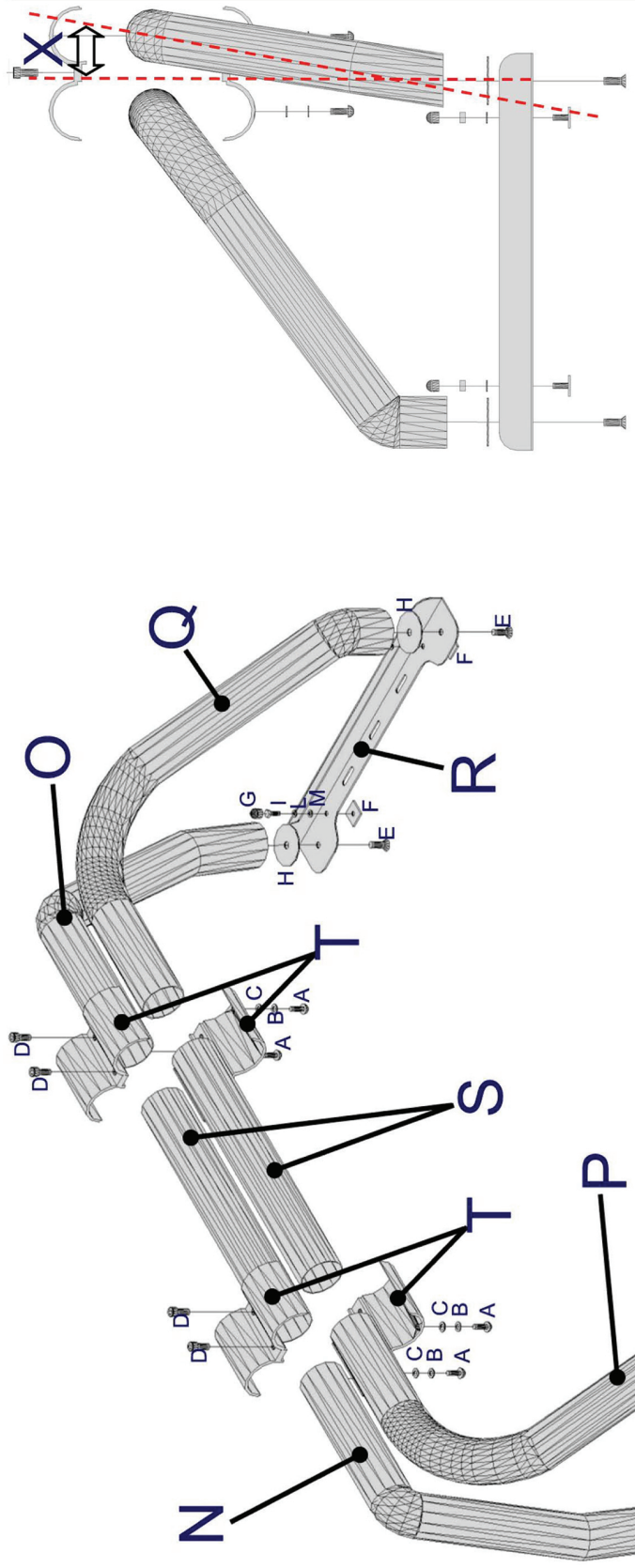
FR

MEDIUM BAR
EN ACCIER INOX

FORD RANGER, NISSAN NAVARA NP300, MITSUBISHI L200 2006/2015 DC, MAZDA BT50

Part List						
Liste des pièces						
A	 TBCEI 8X25 x 4	 Ø 8 x 4	 Ø 8 x 4	 TCEI 10X25 x 4	 TSPEI M10X25 x 4	
F	 M6 x 4	 Cappelletti M 6 x 4	 VIPLA Ø 80 x 4	 TE 6X15 x 4	 BIG Ø 6 GRAND x 4	
M	 Ø 6 x 4	N AS/6/SX x1	O AS/6/DX x1	P PS/6/SX x1	Q PS/6/DX x1	 M6: 10 Nm M8: 25 Nm M10: 50 Nm M12: 70 Nm
R	PL/LONG/UP x2	S RLB/06 x2	T RLB Ø76 x2			

FORD RANGER, NISSAN NAVARA NP300, MITSUBISHI L200 2006/2015 DC, MAZDA BT50



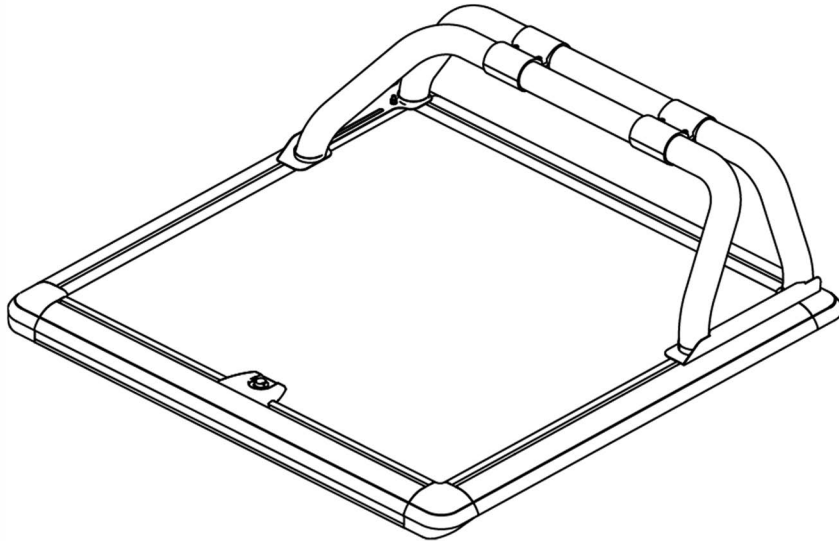
WARNING: fit the N and O front bends as shown in the drawing

ATTENTION: monter les courbes antérieures N et O comme indiqué dans le dessin.

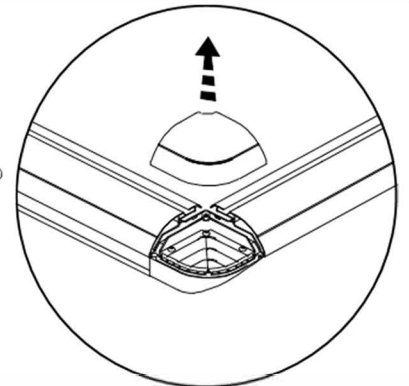
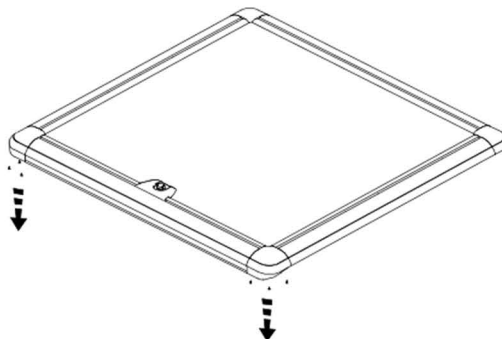
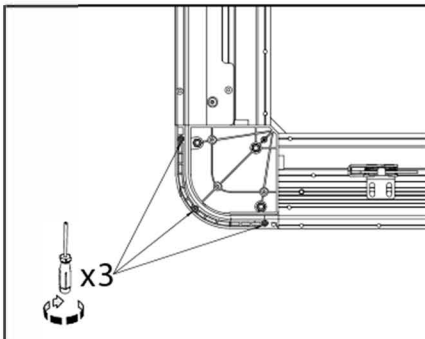
UpStoneEvolve

INSTALLATION INSTRUCTIONS WITH ROLL BAR

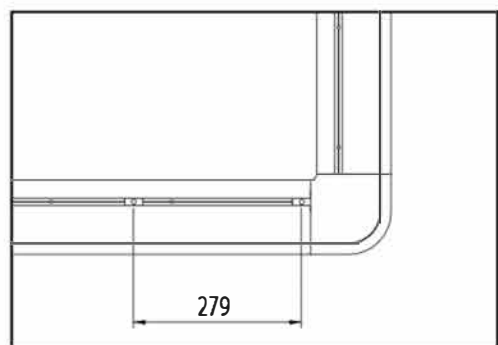
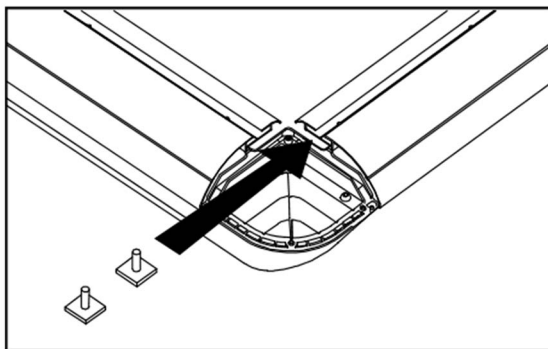
RLB76



- 1** Remove caps by unscrewing the 3 screws in the back corner both left and right.



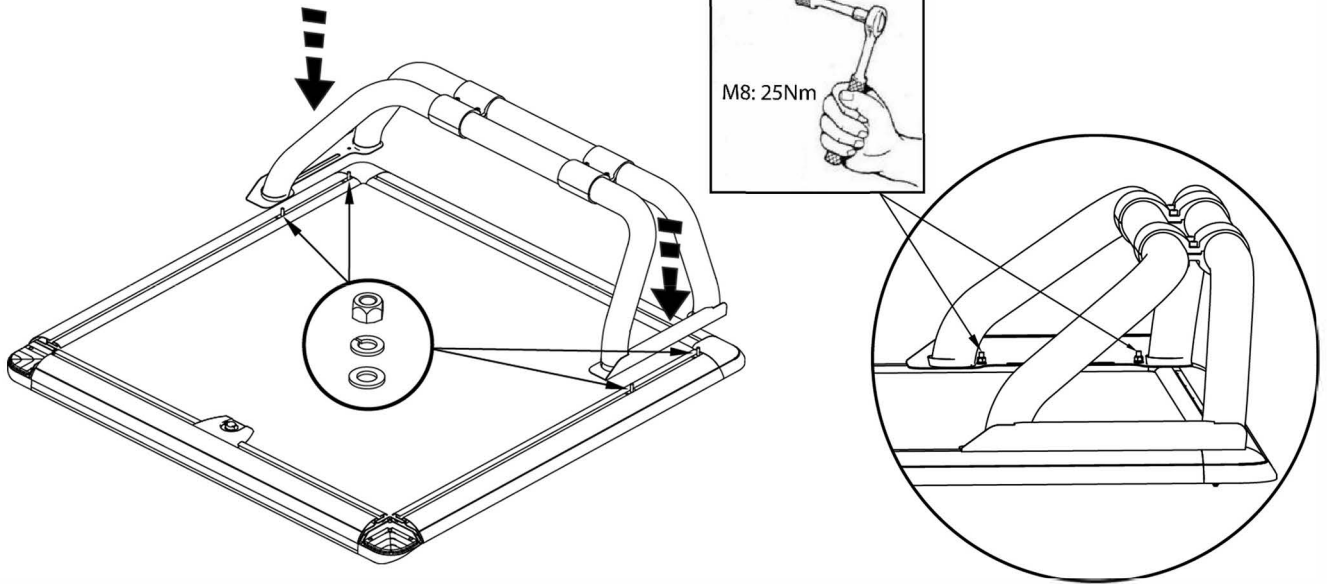
- 2** Insert 2 x Square bolts in both the left and right rails.



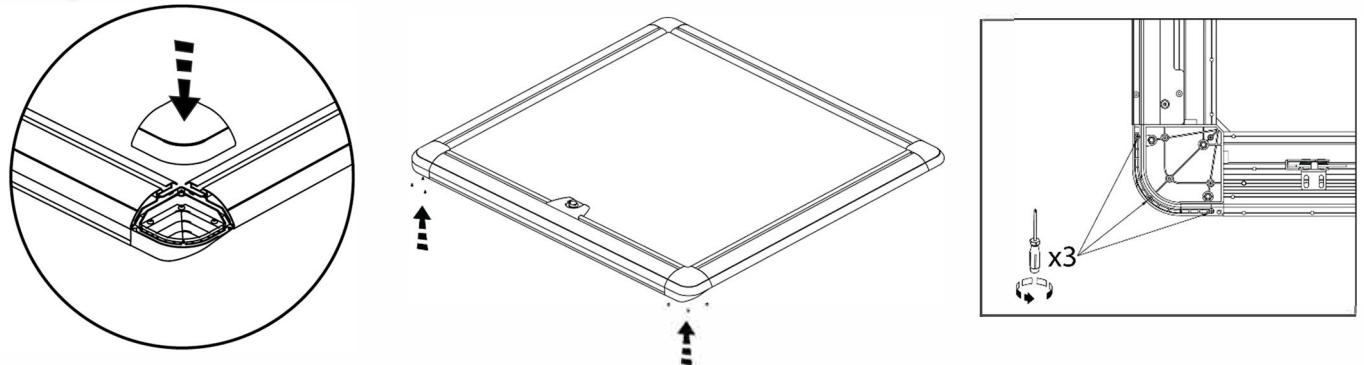
Fitting Kit Number	Product	Revision	Date	Page
RLB76F	Medium SS Bar	1		1 of 2

3

Place the sport bar onto the cover aligning the holes on the foot plate with the square bolts inserts.
Fix with nut, spring washer and washer.

**4**

Replace the caps on the covers corners



Fitting Kit Number	Product	Revision	Date	Page
RLB76F	Medium SS Bar	1		2 of 2

UpStoneEvolve

Info@upstone.fr